

Miele

30" Double Convection Oven - M Touch

H 6780-2 BP2, H6880-2 BP2



Shown: H 6780-2 BP2 over ESW 6780
Please note: This information is subject to change

mieleusa.com
Specification Sheets TRS 0722219

30" Double Convection Oven - M Touch

SPECIFICATIONS	
Overall Dimensions - Excluding Fascia Dimension	28 ⁷ / ₁₆ " (722 mm) W x 49 ⁵ / ₁₆ " (1252 mm) H x 23 ³ / ₄ " (602.8mm) D
Overall Fascia Dimensions	29 ¹³ / ₁₆ " (757 mm) W x 51 ¹ / ₂ " (1308 mm) H x ⁷ / ₈ " (22*/23** mm) D *Oven with glass/**Oven with metal
Oven Door Clearance	22 ⁵ / ₈ " (574 mm)
Shelf	
Minimum Base Support	430 lbs (195 kg)
Plumbing	
Water Supply Requirements	Connect to a cold water supply with an inline water filter only. Must be connected to a shut-off valve. The water shut-off valve must be accessible after installation. The water pressure must be between 14.5 psi (1 bar) and may not exceed 145 psi (10 bar). If the pressure is higher than 145 psi (10 bar), a pressure reducing valve must be installed.
Plumbed Hose Connection	Supplied hose: flexible braided 4'11" (1.5 m) with 3/8" Compression fitting for connection to a shut off valve. The hose must not be shortened. The entire hose length must not exceed 24'7" (7.5 m).
Electrical	
Electrical Requirements	120/208-240V, 60Hz, 50A
Power Cord	Molded NEMA 14-50 plug, 6 ft. (1.8 m)
Electrical Rating	6.7kW (120/240V), 5kW (120/208V)
Shipping	
Shipping Weight	380 lbs (172 kg)
Shipping Dimensions	32 ¹¹ / ₁₆ " (830 mm) W x 35 ¹ / ₁₆ " (890 mm) H x 30 ⁵ / ₁₆ " (770 mm)L
Support	
Call Miele	(800) 999-1360
Miele Website	www.mieleusa.com
20/20 Link	2020technologies.com

ContourLine:



H 6780-2 BP2 - M Touch
Item 22678155USA

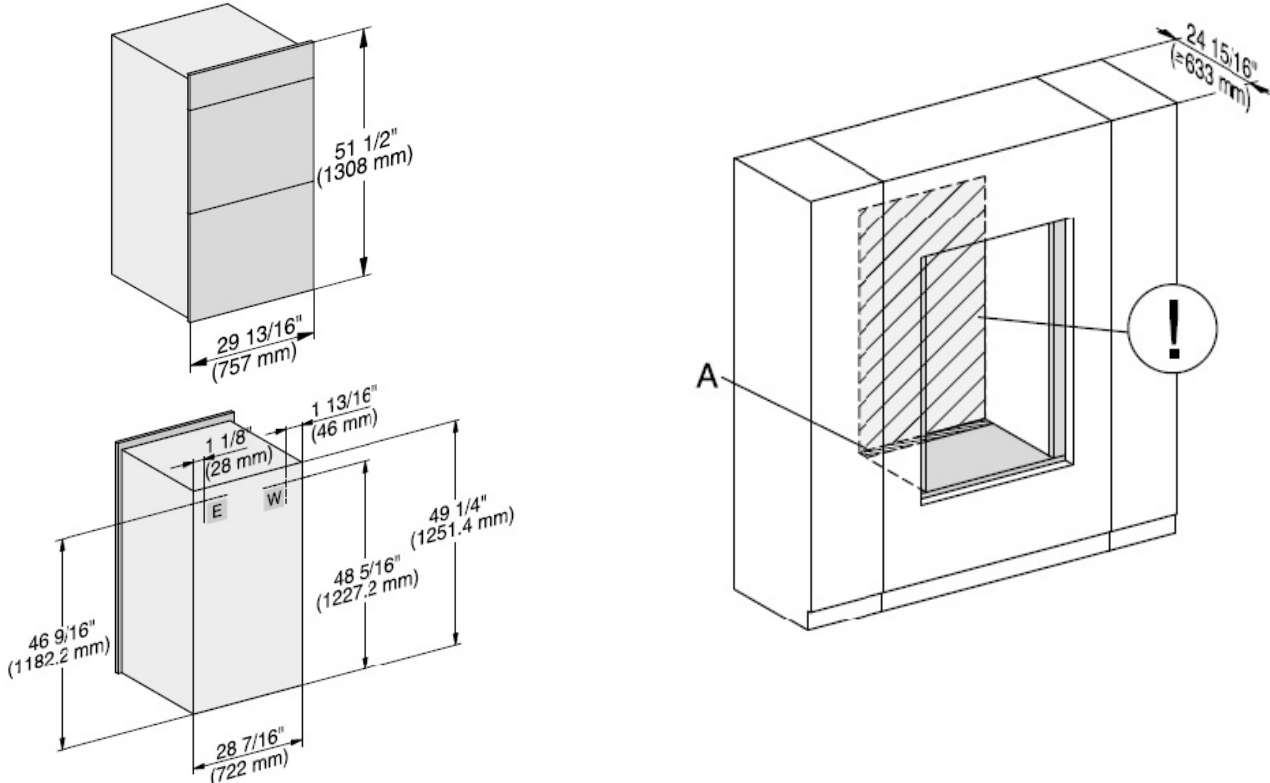
PureLine:



H6880-2 BP2 - M Touch
Item 22688155USA

30" Double Convection Oven - Proud Installation

PRODUCT DIMENSIONS

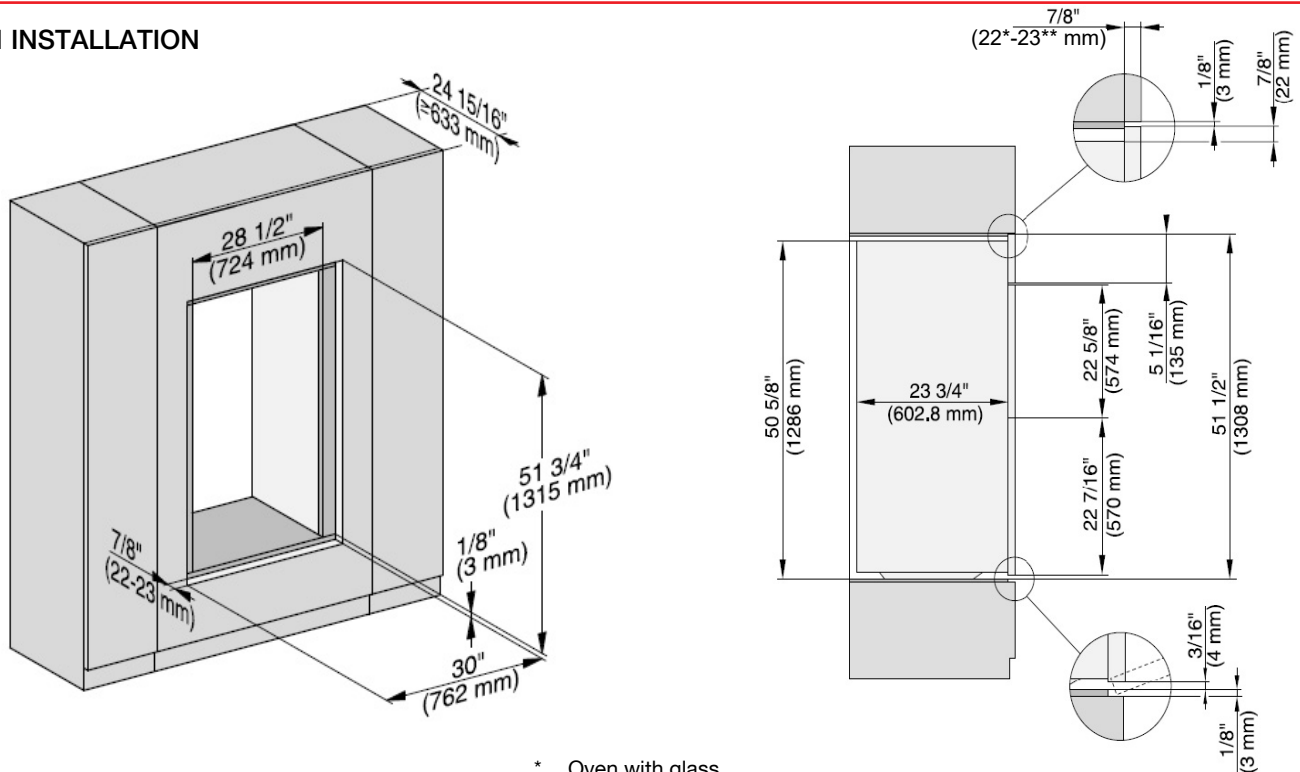


A - Cut-out (4" x 28" / 100 mm x 720 mm) in the bottom of the cabinet for power cord and ventilation

! - Electrical and water supplies are recommended to be placed in adjacent cabinetry. Additional cabinet depth is required when placing the electrical and water supplies behind the appliance.

E = Electric connection W = Water connection

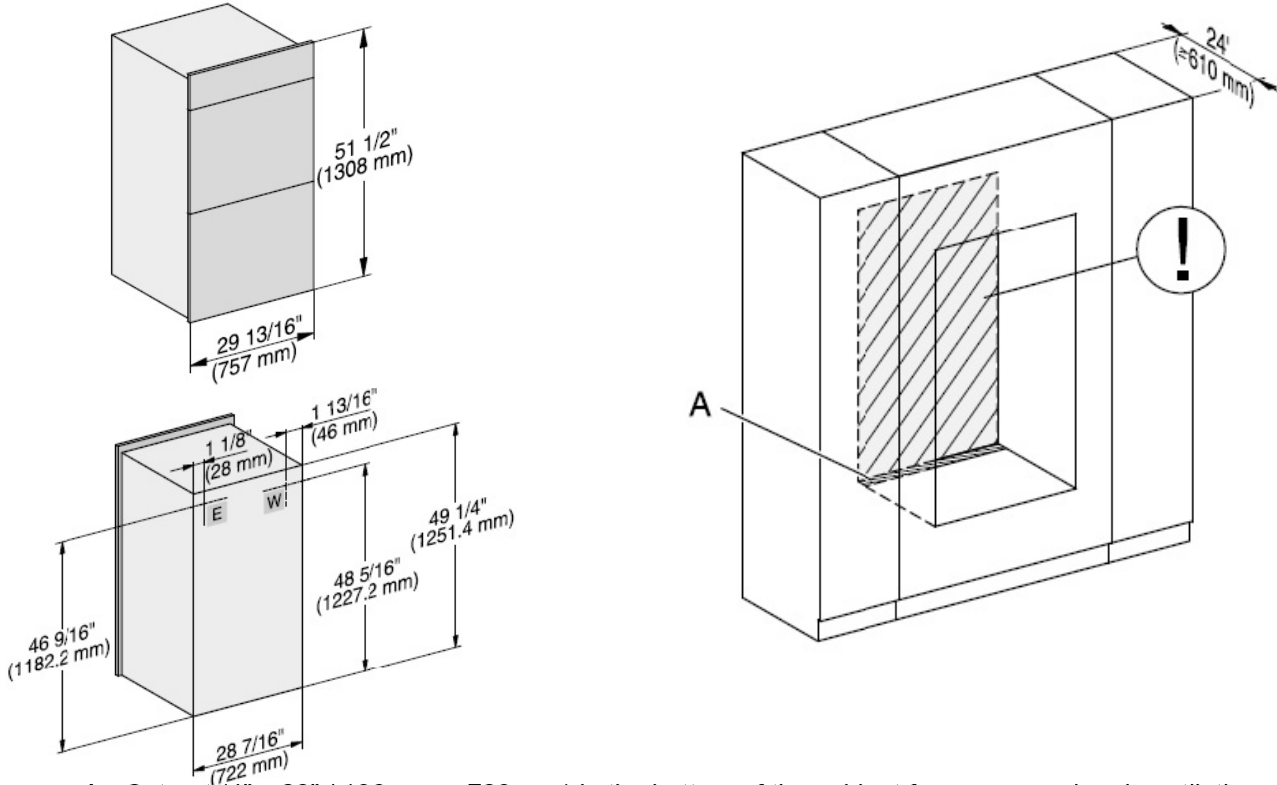
FLUSH INSTALLATION



* Oven with glass
** Oven with metal

30" Double Convection Oven - Proud Installation

PRODUCT DIMENSIONS

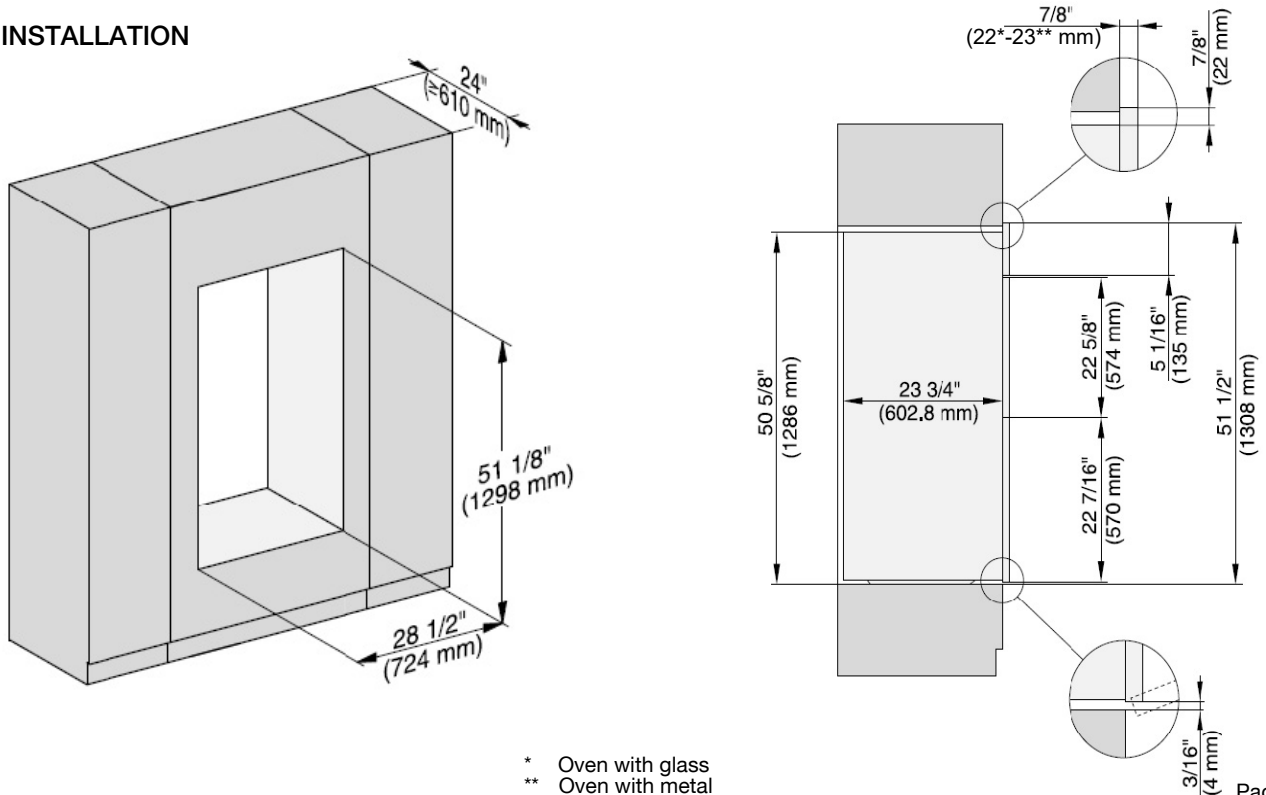


A - Cut-out (4" x 28" / 100 mm x 720 mm) in the bottom of the cabinet for power cord and ventilation

! - Electrical and water supplies are recommended to be placed in adjacent cabinetry. Additional cabinet depth is required when placing the electrical and water supplies behind the appliance.

E = Electric connection W = Water connection

FLUSH INSTALLATION



* Oven with glass
** Oven with metal